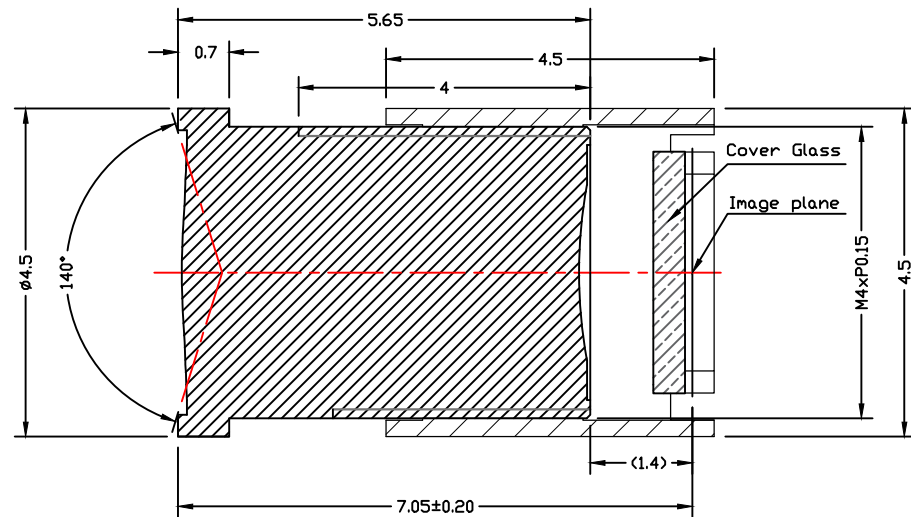
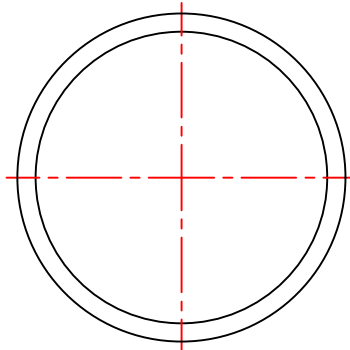


REV.	ECD#	CHANGED BY	DATE	DESCRIPTION OF CHANGE
1				
2				

Specification		
1	for Sensor	OV2740 1/6"
2	Max. IC	Ø3.4
3	EFL	1.29
4	TTL	7.05
5	Mechanical BFL	1.4
6	F/NO.	5
7	DDF	8-80
8	Max. FOV	140°
9	Distortion	<53%
10	Construction	2P(Zeonex)2G(CDGM)
11	Thread	M4xP0.15
12	Barrel Material	AL
13	IR cut coating	T=50%@650±10nm



UNLESS OTHERWISE, DIMENSIONS ARE IN MILLIMETERS. TOLERANCES ARE 0-6mm ±0.05mm 6-30mm ±0.10mm 30-120mm ±0.20mm 120-400mm ±0.30mm ANGLE ±0.5°	DO NOT SCALE DRAWING DO NOT MANUALLY UPDATE DEBUR AND BREAK SHARP EDGES	上海帛视光电有限公司	
	APPROVAL	DATE	SPEC
DRAWN	2018/4/23	DWG NO.	
MATERIAL	CHK'D	PM045A-外部SPEC	REV. 1
FINISH	FIRST USED ON	scale 1:1	SIZE A4
WEIGHT	XXX-XXX-XXX	SHEET 1 OF 1	